

SINKS

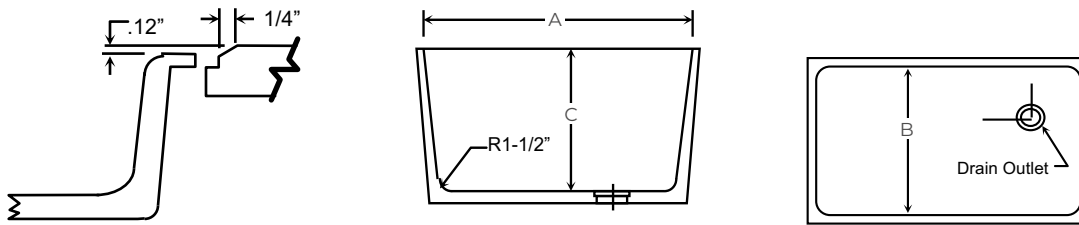
EPOXY RESIN SINKS & COMPONENTS

Product Features:

- Molded in one piece with covered corners, sides, and bottom; 1/2" thick walls.
- High chemical resistance, and long term durability.
- Drop-In sinks can be flush or top mounted.
- Easier to install than undermount sinks

Ordering Information

- Standard color is Black, contact factory for other color selections.
- Fixtures and accessories are to be ordered separately.
- For double sinks, use two Drop-Ins placed side-by-side.
- Consult factory for additional sizes.
- For finished backs, add suffix 'FB' to end of model number



*Sink depth is to edge of drain opening.

Epoxy Resin ADA Compliant Drop-In Sinks

| | | | | |
|----------|------|------|-------|--------|
| A05..... | 14"W | 10"L | 5"D | CORNER |
| A07..... | 14"W | 14"L | 5"D | CORNER |
| A25..... | 18"W | 15"L | 5"D | CORNER |
| A55..... | 25"W | 15"L | 4.8"D | CORNER |

| Epoxy Resin Drop-In Sinks | A | B | C | Drain Location |
|---------------------------|-----|------|--------|----------------|
| D01C..... | 9" | 6" | 5.8"D | CENTER |
| D03C..... | 12" | 8" | 5.8"D | CENTER |
| D05C..... | 14" | 10" | 6.2"D | CENTER |
| D10C..... | 16" | 8" | 6.8"D | CENTER |
| D15C..... | 16" | 12" | 8"D | CENTER |
| D20..... | 16" | 16" | 7.5"D | CORNER |
| D21..... | 16" | 16" | 15"D | CORNER |
| D22C..... | 16" | 6.5" | 6"D | CENTER |
| D24C..... | 18" | 14" | 10.5"D | CENTER |
| D25..... | 18" | 15" | 8"D | CORNER |
| D30C..... | 18" | 15" | 10.8"D | CENTER |
| D32..... | 18" | 15" | 15.8"D | CORNER |

| | A | B | C | Drain Location |
|--------------------------------|-------|-------|--------|----------------|
| D33E..... | 21" | 17" | 9.8"D | END |
| D45..... | 21.5" | 15.5" | 11"D | CORNER |
| D50..... | 24" | 16" | 8"D | CENTER |
| D52..... | 24" | 18" | 11"D | END |
| D55..... | 25" | 15" | 10"D | CORNER |
| D58..... | 25" | 15" | 17.8"D | CORNER |
| D59..... | 28" | 15" | 12"D | CORNER |
| D65..... | 35.5" | 19.5" | 9.8"D | CENTER |
| D68E..... | 30" | 16" | 10"D | END |
| D70C..... | 4" | 16" | 15.5"D | CENTER |
| Double Drop-In Sink, Each Bowl | | | | |
| D30D..... | 18"W | 15"L | 10.8"D | CORNER |

SINKS

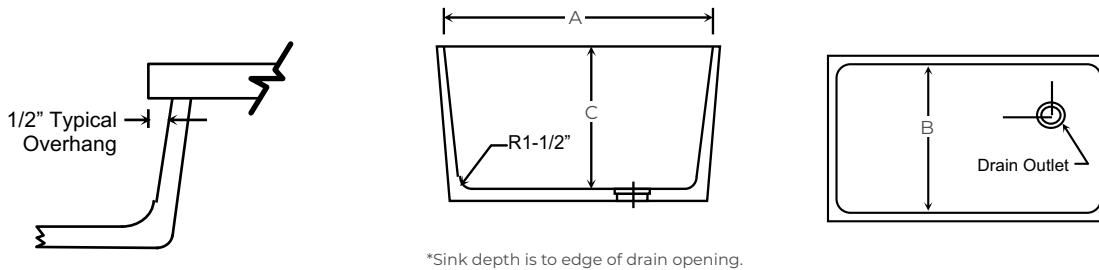
EPOXY RESIN SINKS & COMPONENTS

Product Features:

- Molded in one piece with covered corners, sides, and bottom; 1/2" thick walls.
- High chemical resistance, and long term durability.
- Available in a wide variety of sizes.

Ordering Information

- Standard color is Black, contact factory for other color selections.
- Fixtures and accessories are to be ordered separately.
- Consult factory for additional sizes.



| Epoxy Undermount Sinks | A | B | C | Drain Location |
|------------------------|-------|-------|---------|----------------|
| U35E..... | | 18" | 10"D | END |
| U51E..... | 24" | 16" | 16.8"D | END |
| U53E..... | 24.4" | 18.4" | 7-1/2"D | END |
| U54..... | 23" | 21" | 19.1"D | CORNER |
| U56C..... | 24" | 16" | 12"D | CENTER |
| U63E..... | 31" | 17" | 10"D | END |
| U66C..... | 35.7" | 19.7" | 12"D | CENTER |
| U71..... | 43" | 15" | 11"D | CENTER |
| U72C..... | 43.3" | 15.3" | 16"D | CENTER |
| U73..... | 38" | 21" | 19.1"D | CORNER |
| U75C..... | 42" | 20" | 10"D | CENTER |

SINKS

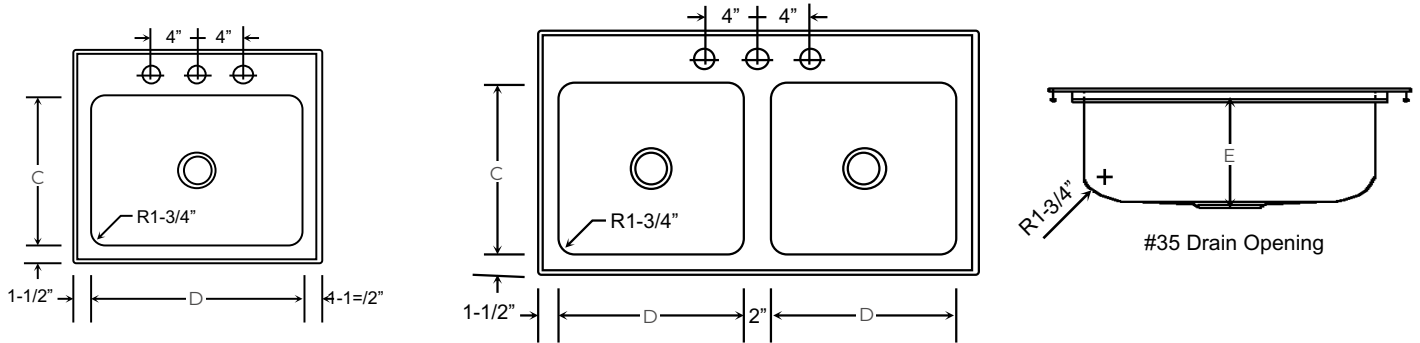
STAINLESS STEEL SINKS & COMPONENTS

Product Features:

- Seamless, die-drawn construction of 18-gauge type 304, 18-8 stainless steel.
- Self-rimming top mount.
- Center drain location.

Ordering Information

- Specify quantity of faucet holes. (All holes are 1-1/2" diameter.)
- Consult factory for additional sizes, styles, ADA compliant sinks or Type 316 sinks.



Single Bowl Sink
Model SL/SLX/SLXD

Double Bowl Sink
Model DL/DLX/DLXD

| Single Bowl Sink | C | D | E | Double Bowl Sink, Each Bowl | C | D | E |
|------------------|------|------|----------|-----------------------------|------|------|----------|
| SL1815AGR..... | 12"W | 12"L | 7-1/2"D | DL1829AGR..... | 12"W | 12"L | 7-1/2"D |
| SL1921AGR..... | 14"W | 18"L | 7-1/2"D | DL1933AGR..... | 14"W | 14"L | 7-1/2"D |
| SL2019AGR..... | 14"W | 16"L | 7-1/2"D | DL2037AGR..... | 14"W | 16"L | 7-1/2"D |
| SL2122AGR..... | 16"W | 19"L | 7-1/2"D | DL2137AGR..... | 16"W | 16"L | 7-1/2"D |
| SL2125AGR..... | 16"W | 22" | 8"D | DL2143AGR..... | 16"W | 19" | 7-1/2"D |
| SL2131AGR..... | 16"W | 28"L | 7-1/2"D | DL2249AGR..... | 16"W | 22"L | 7-1/2"D |
| SLX1815AGR..... | 12"W | 12"L | 9"D | DLX1829AGR..... | 12"W | 12"L | 9"D |
| SLX1921AGR..... | 14"W | 18"L | 10-1/2"D | DLX1933AGR..... | 14"W | 14"L | 10-1/2"D |
| SLX2019AGR..... | 14"W | 16"L | 10-1/2"D | DLX2237AGR..... | 16"W | 16"L | 10-1/2"D |
| SLX2222AGR..... | 16"W | 19"L | 10-1/2"D | DLX2243AGR..... | 16"W | 19"L | 10-1/2"D |
| SLX2225AGR..... | 16"W | 22"L | 10-1/2"D | DLX2249AGR..... | 16"W | 22"L | 10-1/2"D |
| SLXD1921AGR..... | 14"W | 18"L | 12"D | DLXD2237AGR..... | 16"W | 16"L | 12"D |
| SLXD2231AGR..... | 16"W | 28"L | 12"D | DLXD2249AGR..... | 16"W | 22"L | 12"D |

SINK ACCESSORIES

CUPSINKS AND SINK ACCESSORIES

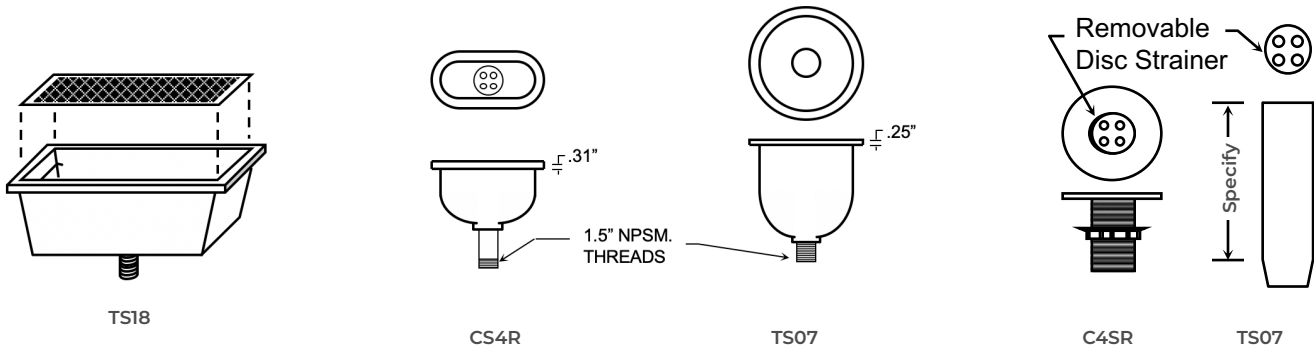
Product Features:

- Cupsinks are molded in one piece with covered corners, side and bottom.
- High chemical resistance and long term durability.

Ordering Information

- Standard color is Black (contact factory for other color selections).
- Specify height of overflows (Ex. OE-6 = Open End overflow, 6”H)

Cupsinks



| Description | Inside | | | Outside | Weight |
|-------------|--------|-------|-------|---------|--------|
| | Length | Width | Depth | Height | |

Standard Polypropylene Resin

| | | | | | | |
|-------------|------|------|------|----|------|------|
| CS4R | Oval | 6.3" | 3.1" | 4" | 8.1" | 3lbs |
|-------------|------|------|------|----|------|------|

Special Epoxy Resin

| | | | | | | |
|---------------|-----------|-------------|------|------|-------|-------|
| TS04* | Oval | 5.7" | 2.7" | 3.7" | 8.3" | 3lbs |
| TS12 | Oval | 8.8" | 2.7" | 5.8" | 10" | 4lbs |
| TS07 | Round | 6" Diameter | | 6" | 11.4" | 3lbs |
| TS18** | Rectangle | 13.6" | 4.4" | 5.4" | 9.9" | 5lbs |
| CW14 | Wall Mt. | 11" | 3" | 4" | 5" | 10lbs |

*Not available in Black, Gray or White (Use CS4R)
 **CSEW includes #316 Monel Stainless Steel Screen

Sink Accessories

Polypropylene Resin

| | Description | Inside Diameter | Outside Diameter | Length |
|--------------|-----------------------|-----------------|------------------|-----------------|
| SO3-R | Sink Outlet/Strainer | 1-1/2" | 3-5/16" | 2-3/4" |
| USS2 | Sink Stopper | - | 1-1/2" | - |
| U-OE | Open End Overflow | 1" | 1-1/2" | 4", 6", 8", 10" |
| O.E.S | Strainer Cap (for OE) | - | - | - |

PEGBOARDS

EPOXY RESIN/PHENOLIC RESIN & STAINLESS STEEL PEGBOARDS

Product Features:

- Stainless Steel is 20-gauge Type 304 with No. 4 finish.
- Stainless Steel drip troughs include 36" L flexible clear plastic drain tubes. Optional screen inserts available.

Ordering Information

- For Epoxy/Phenolic Pegboards, specify board color and peg color/length
- Consult factory for additional sizes and accessories.
- Acrylic Boards are also available

Epoxy Resin/Phenolic Resin Pegboards

Resin Pegboards are 1" thick and supplied with Black or White polypropylene pegs in 5", 6" or 8½" lengths. Stainless steel Drip Trough mounts to bottom of pegboard (mounting hardware not included).

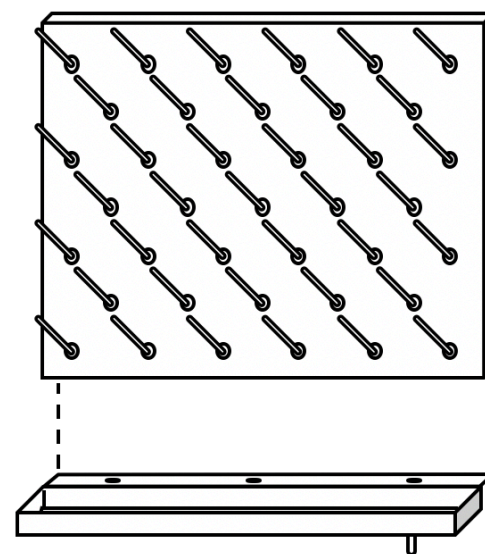
Finished Backs

Epoxy Pegboard (per square foot)

-FB.....

| Epoxy Resin Pegboard | W | H | | |
|----------------------|-----|-----|-----|---------|
| P1824D..... | 18" | 24" | 1"D | 39 PEGS |
| P2430D..... | 24" | 30" | 1"D | 39 PEGS |
| P3030D..... | 30" | 30" | 1"D | 46 PEGS |
| P3036D..... | 30" | 36" | 1"D | 56 PEGS |
| P3630D..... | 36" | 30" | 1"D | 60 PEGS |
| P3636D..... | 36" | 36" | 1"D | 68 PEGS |
| P4830D..... | 48" | 30" | 1"D | 81 PEGS |

| Phenolic Resin Pegboard | W | H | | |
|-------------------------|-----|-----|-----|---------|
| PR1824A..... | 18" | 24" | 1"D | 21 PEGS |
| PR2430A..... | 24" | 30" | 1"D | 39 PEGS |
| PR3030A..... | 30" | 30" | 1"D | 46 PEGS |
| PR3036A..... | 30" | 36" | 1"D | 56 PEGS |
| PR3636A..... | 36" | 36" | 1"D | 68 PEGS |
| PR4830A..... | 48" | 30" | 1"D | 81 PEGS |



Stainless Steel Pegboards

Stainless Steel Pegboards are 3/4" thick, supplied with 6" x 1/2" diameter White polypropylene pegs (T304) and integral drip trough (available in 2" or 4" depth) and plastic hose. Wall brackets are included. For freestanding assembly, add suffix 'FSA' to model number.

| | W | H | |
|------------|-----|-----|---------|
| V1824..... | 18" | 24" | 15 PEGS |
| V2430..... | 24" | 30" | 32 PEGS |
| V3030..... | 30" | 30" | 50 PEGS |
| V3630..... | 36" | 30" | 60 PEGS |
| V4830..... | 48" | 30" | 48 PEGS |

